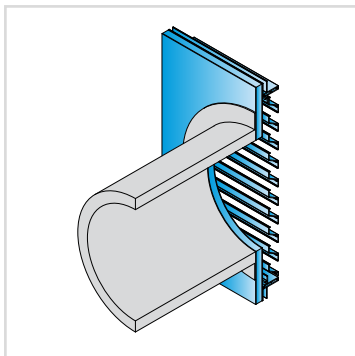
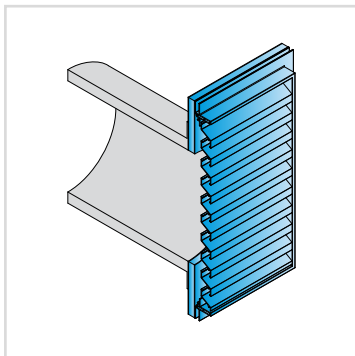


# 414THF

## Thermally insulated window louvre

GLAZED-IN  
LOUVRE

ALUMINIUM



### MATERIAL

- Made from aluminium sections: AlMgSi 0.5 [according to EN 12020-2]
- Finishing: anodized in satin colour [20 micron] or powder-coated in any RAL or Syntha Pulvin colour [40 micron]
- Thermal insulation panel with PUR foam composite
- Sandwich panel can also be powdercoated on both sides

### DIMENSIONS

- Blade pitch: 33,3 mm
- Minimum size: 130 x 130 mm
- Frame thickness: 24, 28, or 32 mm
- Specify on ordering: width x height in mm [overall dimensions]

### FIXING

- Suitable for 24, 28, 32 mm glazing sections. Other thicknesses on request.

### TYPICAL APPLICATIONS

- Curtain walls
- Thermally insulated air duct

## TECHNICAL SPECIFICATIONS

All properties are valid for the standard version of the Louvre, unless otherwise stated.

[for cut-out part of thermal insulation]

Airflow		[EN 13030]
K-factor [entry]		20.47
K-factor [discharge]		19.58
C <sub>e</sub> coefficient		0.221
C <sub>d</sub> coefficient		0.226
Technical data		
Visual free area		59 %
Physical free area		50 %
U-value 1,1 W/m <sup>2</sup> K		1,1 W/m <sup>2</sup> K
IP class		IP2XD

## TECHNICAL DRAWINGS

